

**NOTES:**

- Design is based on a standard parking space size and curb height – specific locations were not surveyed or measured in any way prior to preparation of the design.
- Use of 'The Drawings' is not permitted without execution of the Release and Indemnity Agreement included with this package.
- All framing members to be pressure-treated SPF lumber.

ISSUED: Permit

DATE: 2023.07.13

**PLANT**  
ARCHITECT INC.

SUITE 500 - 317 ADELAIDE STREET W  
TORONTO ONTARIO CANADA M5V 1P9  
TELEPHONE 1-416-979-2012  
WWW.BRANCHPLANT.COM

DRAWING TITLE: Plans

PROJECT TITLE: TABIA Café TO

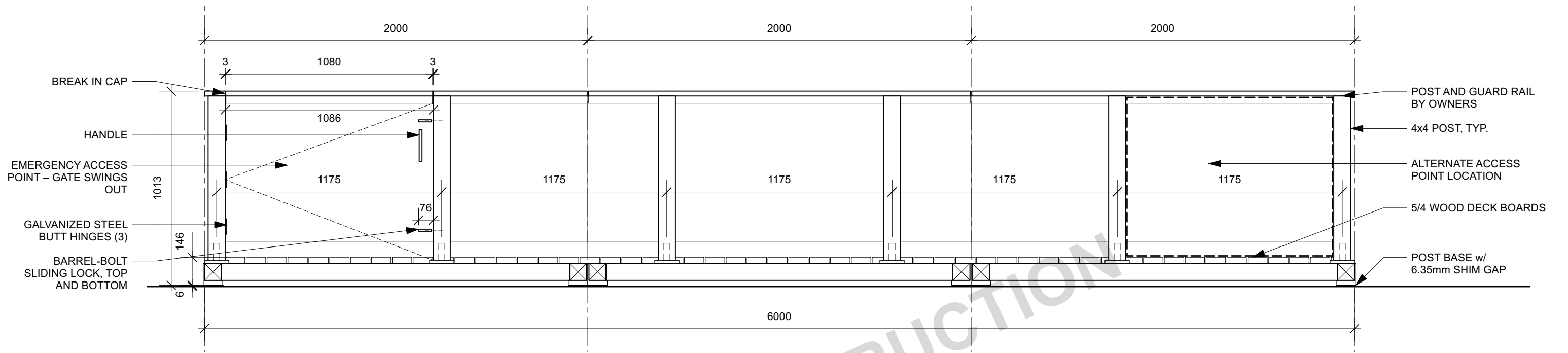
PAI PROJECT NO.: 23024

DRAWING SCALE: 1:50

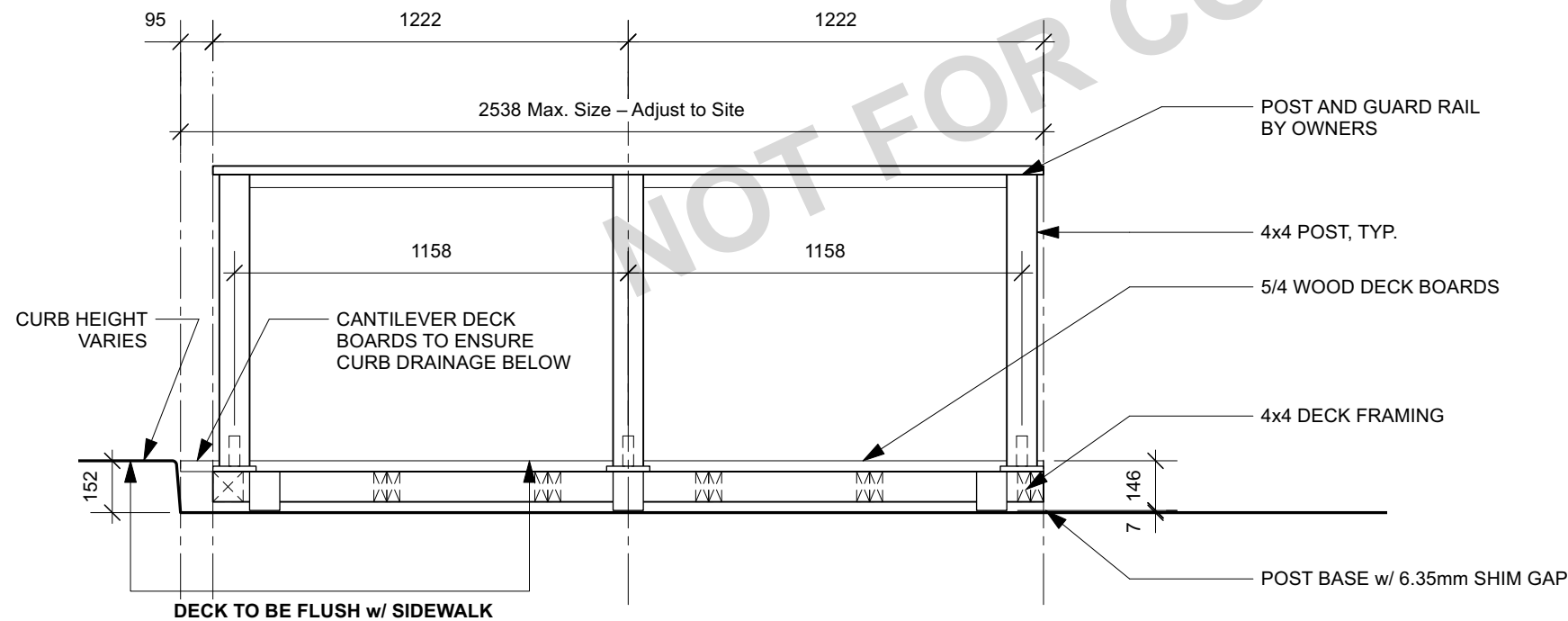
DATE: 2023.07.13

All Work shall conform to the applicable local Building Code latest issue, and all other relevant authorities with jurisdiction. Do not use these drawings for construction unless they have been signed and sealed by the Architect. The Contractor shall verify all dimensions and report any discrepancies to the Architect prior to start of construction.  
**DO NOT SCALE DRAWINGS.**  
Copyright © 2023

**A-001**



1 FRONT ELEVATION – 6.0m PATIO  
Scale: 1:20 \*12.0m Similar



2 TYPICAL SIDE ELEVATION  
Scale: 1:20

**NOTES:**

1. Design is based on a standard parking space size and curb height – specific locations were not surveyed or measured in any way prior to preparation of the design.
2. Use of 'The Drawings' is not permitted without execution of the Release and Indemnity Agreement included with this package.
3. All framing members to be pressure-treated SPF lumber.

ISSUED: Permit

DATE: 2023.07.13

**PLANT**  
ARCHITECT INC.  
SUITE 500 - 317 ADELAIDE STREET W  
TORONTO ONTARIO CANADA M5V 1P9  
TELEPHONE 1-416-979-2012  
WWW.BRANCHPLANT.COM

DRAWING TITLE: Elevations

DRAWING SCALE: 1:20

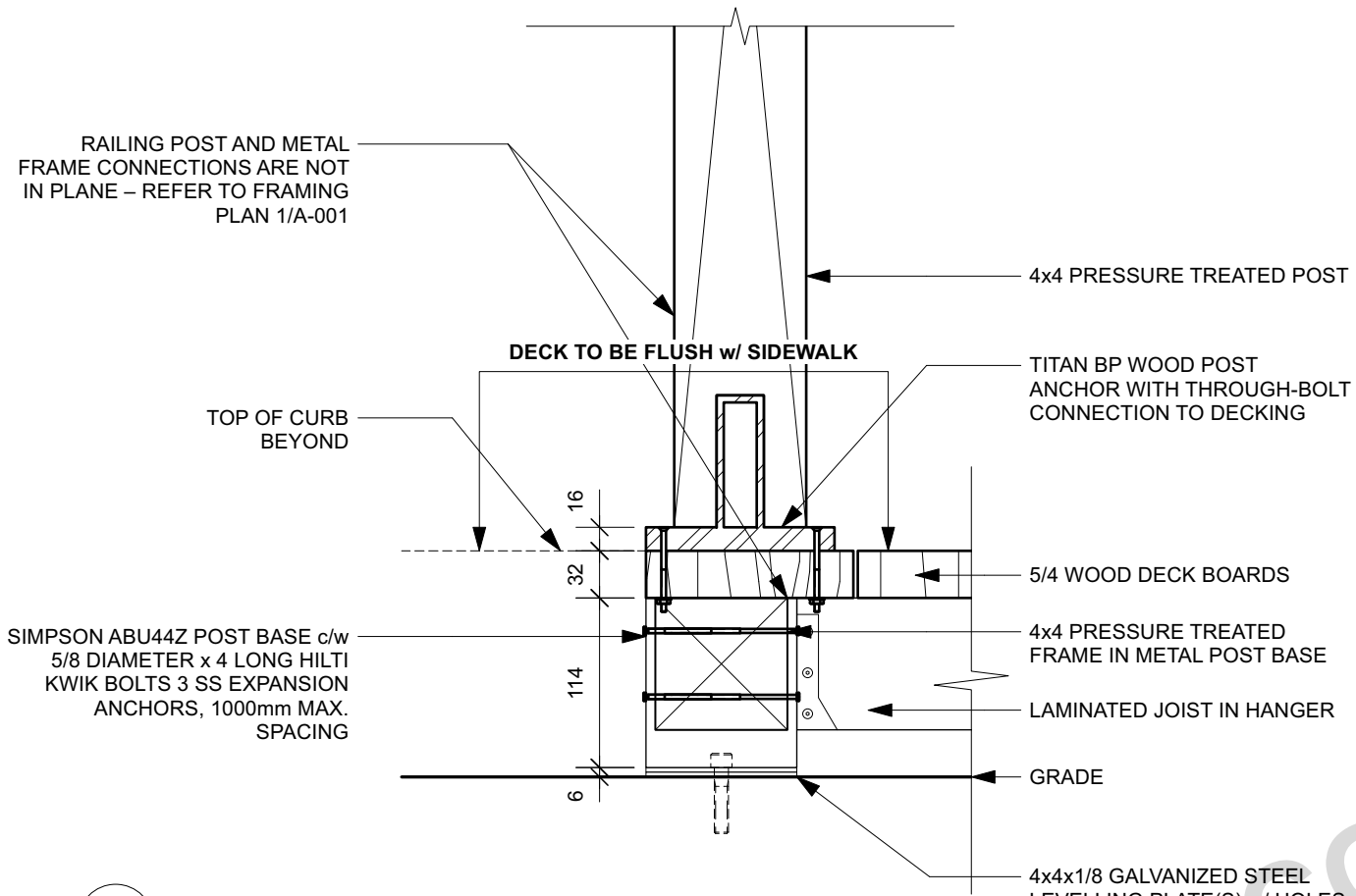
PROJECT TITLE: TABIA Café TO

DATE: 2023.07.13

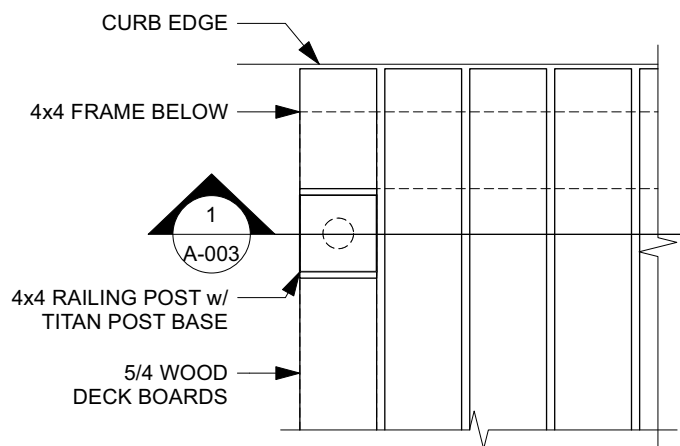
All Work shall conform to the applicable local Building Code latest issue, and all other relevant authorities with jurisdiction. Do not use these drawings for construction unless they have been signed and sealed by the Architect. The Contractor shall verify all dimensions and report any discrepancies to the Architect prior to start of construction.  
**DO NOT SCALE DRAWINGS.**  
Copyright © 2023

PAI PROJECT NO.: 23024

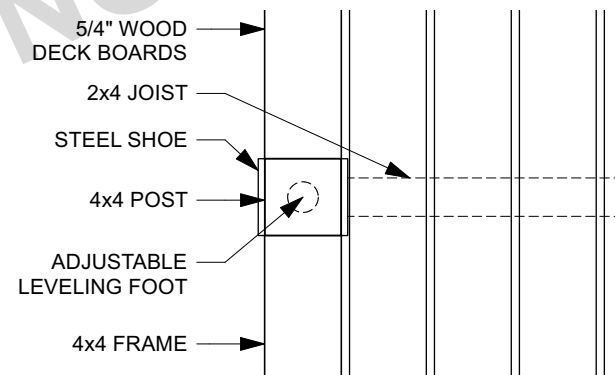
**A-002**



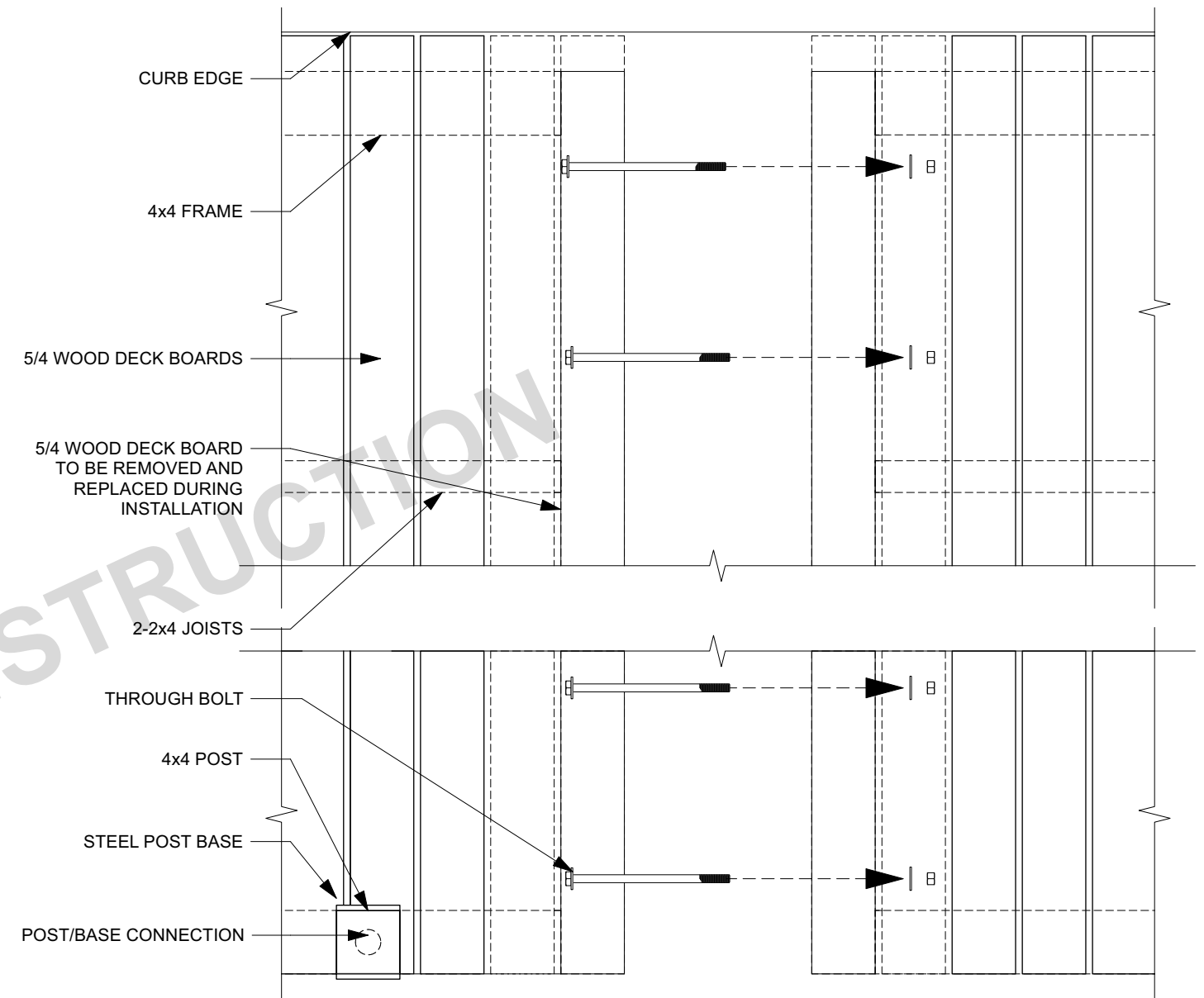
1 FOOT DETAIL  
Scale: 1:5



3 CORNER DETAIL  
Scale: 1:10



4 POST DETAIL  
Scale: 1:10



2 CONNECTION DETAIL  
Scale: 1:10

**NOTES:**

1. Design is based on a standard parking space size and curb height – specific locations were not surveyed or measured in any way prior to preparation of the design.
2. Use of 'The Drawings' is not permitted without execution of the Release and Indemnity Agreement included with this package.
3. All framing members to be pressure-treated SPF lumber.

ISSUED: Permit

DATE: 2023.07.13

**PLANT**  
ARCHITECT INC.

SUITE 500 - 317 ADELAIDE STREET W  
TORONTO ONTARIO CANADA M5V 1P9  
TELEPHONE 1-416-979-2012  
WWW.BRANCHPLANT.COM

DRAWING TITLE: Details

DRAWING SCALE: As Noted

PROJECT TITLE: TABIA Café TO

DATE: 2023.07.13

All Work shall conform to the applicable local Building Code latest issue, and all other relevant authorities with jurisdiction. Do not use these drawings for construction unless they have been signed and sealed by the Architect. The Contractor shall verify all dimensions and report any discrepancies to the Architect prior to start of construction.  
**DO NOT SCALE DRAWINGS.**  
Copyright © 2023

PAI PROJECT NO.: 23024

**A-003**

List of Materials			# of units	mm	m	Bd. Ft.	Sq m.
6m Deck	Hardware	Simpson LUS24-2	24				
		Simpson HUC24-2	12				
		Galvanized Through-bolts	14				
		Titan BP wood Post Anchor	10				
	Framing	4x4		14658mm	14.66m	48.09 Bd. Ft	
		2x4		65592mm	64.6m	215.2 Bd. Ft	
	Decking (sq. m)	5/4					13.5sq.m
12m Deck	Hardware	Simpson LUS24-2	48				
		Simpson HUC24-2	24				
		Galvanized Through-bolts	35				
		Titan BP wood Post Anchor	16				
	Framing	4x4		29316mm	29.3m	96.18 Bd. Ft	
		2x4		131184mm	131.18m	430.4 Bd. Ft	
	Decking (sq. m)	5/4					27.2 sq.m
*Railing by Owner							

NOT FOR CONSTRUCTION

**NOTES:**

- Design is based on a standard parking space size and curb height – specific locations were not surveyed or measured in any way prior to preparation of the design.
- Use of 'The Drawings' is not permitted without execution of the Release and Indemnity Agreement included with this package.
- All framing members to be pressure-treated SPF lumber.
- Material quantities are approximate. Fabricator to verify quantities prior to construction based on site dimensions

ISSUED: Permit

DATE: 2023.07.13

**PLANT**  
ARCHITECT INC.  
SUITE 500 - 317 ADELAIDE STREET W  
TORONTO ONTARIO CANADA M5V 1P9  
TELEPHONE 1-416-979-2012  
WWW.BRANCHPLANT.COM

All Work shall conform to the applicable local Building Code latest issue, and all other relevant authorities with jurisdiction. Do not use these drawings for construction unless they have been signed and sealed by the Architect. The Contractor shall verify all dimensions and report any discrepancies to the Architect prior to start of construction.  
**DO NOT SCALE DRAWINGS.**  
Copyright © 2023

DRAWING TITLE: Material List

PROJECT TITLE: TABIA Café TO

PAI PROJECT NO.: 23024

DRAWING SCALE: NTS

DATE: 2023.07.13

**A-004**